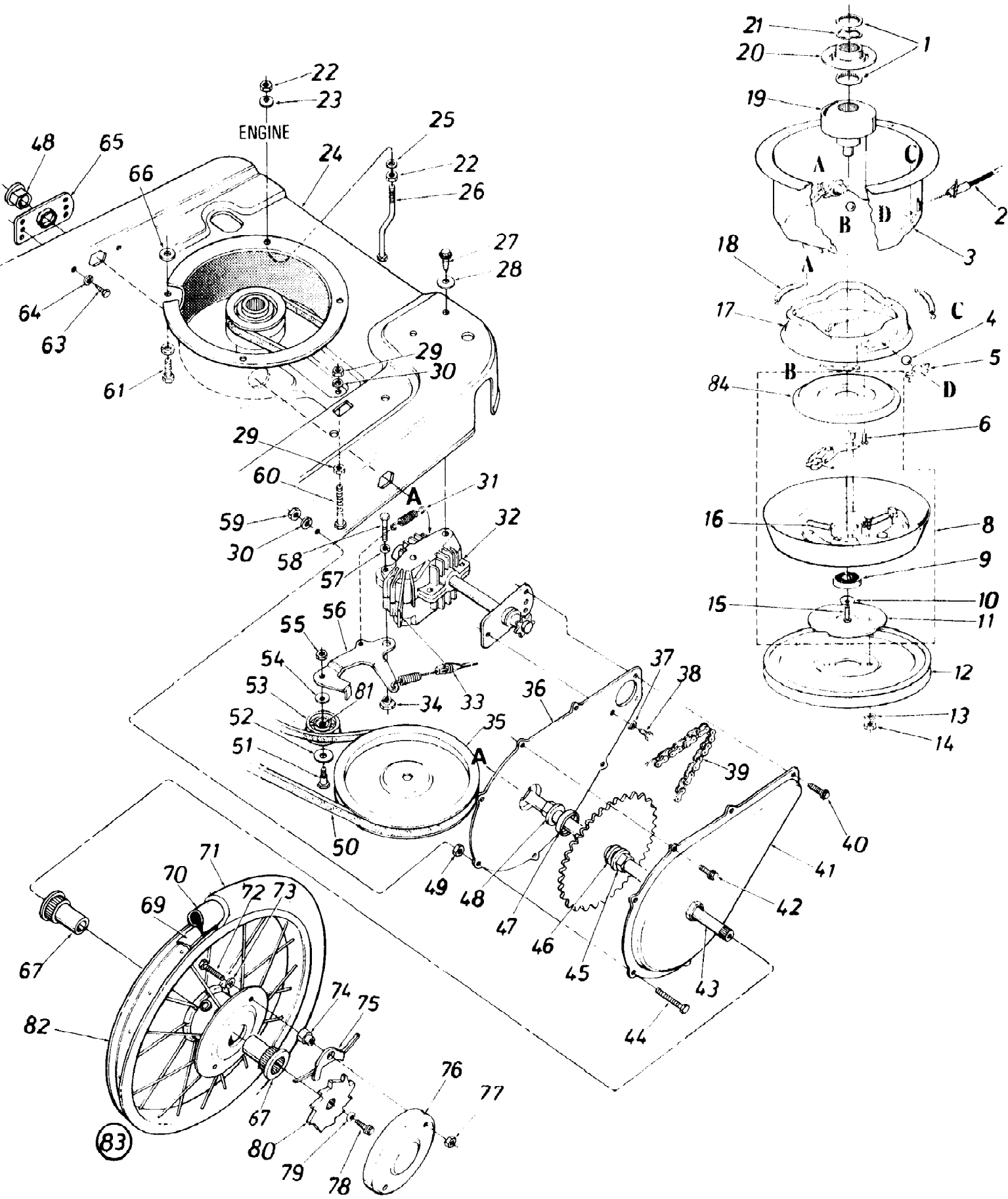




Ref #	Part Number	Qty	S/P/F	Description
1	712-0318	1	/P	Hex Jam Nut 5/16-18 Thd.
2	736-0317	1	/P	Bell-Wash. .630" I.D. x 1.25" O.D.
3	756-0484	1		5/8" "V"-Pulley .75" I.D. x 9.5"
4	732-0529	1		Extension Spring .56" O.D. x 1.0.5
5	710-0118	1	S	Hex Bolt 5/16-18 x .75" Lg.'
6	736-0119	1	S	L-Wash. 5/16" I.D.
7	712-0267	1	S	Hex Nut 5/16-18 Thd.
8	736-0272	1	S	FI-Wash. .510" I.D. x 1.0" O.D.
9	16499	1		26" Deck Ass'y.
10	714-0101	1	S	Inter. Cotter Pin 1/2" Dia.
11	13703	1		Bearing Shield
12	712-0123	1	/P	Hex Nut 5/16-24 Thd.
14	742-0147	1	S	Blade 26"
15	710-0888	1	/P	Hex Bolt Special 5/16-24 x 1.0" Lg.
16	710-0152	1	S	Hex Bolt 3/8-24 x 1.00" Lg.
17	736-0356	1	S	Bell-Wash. .391" I.D. x 1.38" O.D.
18	748-0300	1		Blade Adapter
19	711-0571	1		Hinge Pin
20	710-0599	1	/P	Hex Wash. Hd. TT-Scr. 1/4-20
21	11571	1		Chute Cover Ass'y.
22	732-0261	1		Torsion Spring
23	11396	1		Adapter Plate
24	726-0106	1	S	Cap Speed Nut 1/4" Rod
25	738-0578	1		Blade Spindle 4.42" Lg.
28	08253	1	S	Bearing Housing 1.85
29	741-0919	1	S	Ball Brg. .787" I.D. x 1.85" O.D.
30	750-0456	1	S	Spacer 1.0" O.D. x .790" I.D. x .350" Lg.
31	16490	1		Spindle Mounting Plate
32	741-0919	1	S	Ball Brg. .787" I.D. x 1.85" O.D.
33	15296	1	S	Open Brg. Housing 1.85
35	754-0326	1	S	"V"-Belt
36	741-0163	1	S	Brg. Hsg Ass'y (Incl. Ref. 28 & 29)
37	15297	1	S	Brg. Hsg. Ass'y. (Incl. Ref. 32 & 33)



128-560B190 Lawn Boss 26 (1988)  
Drive Assembly

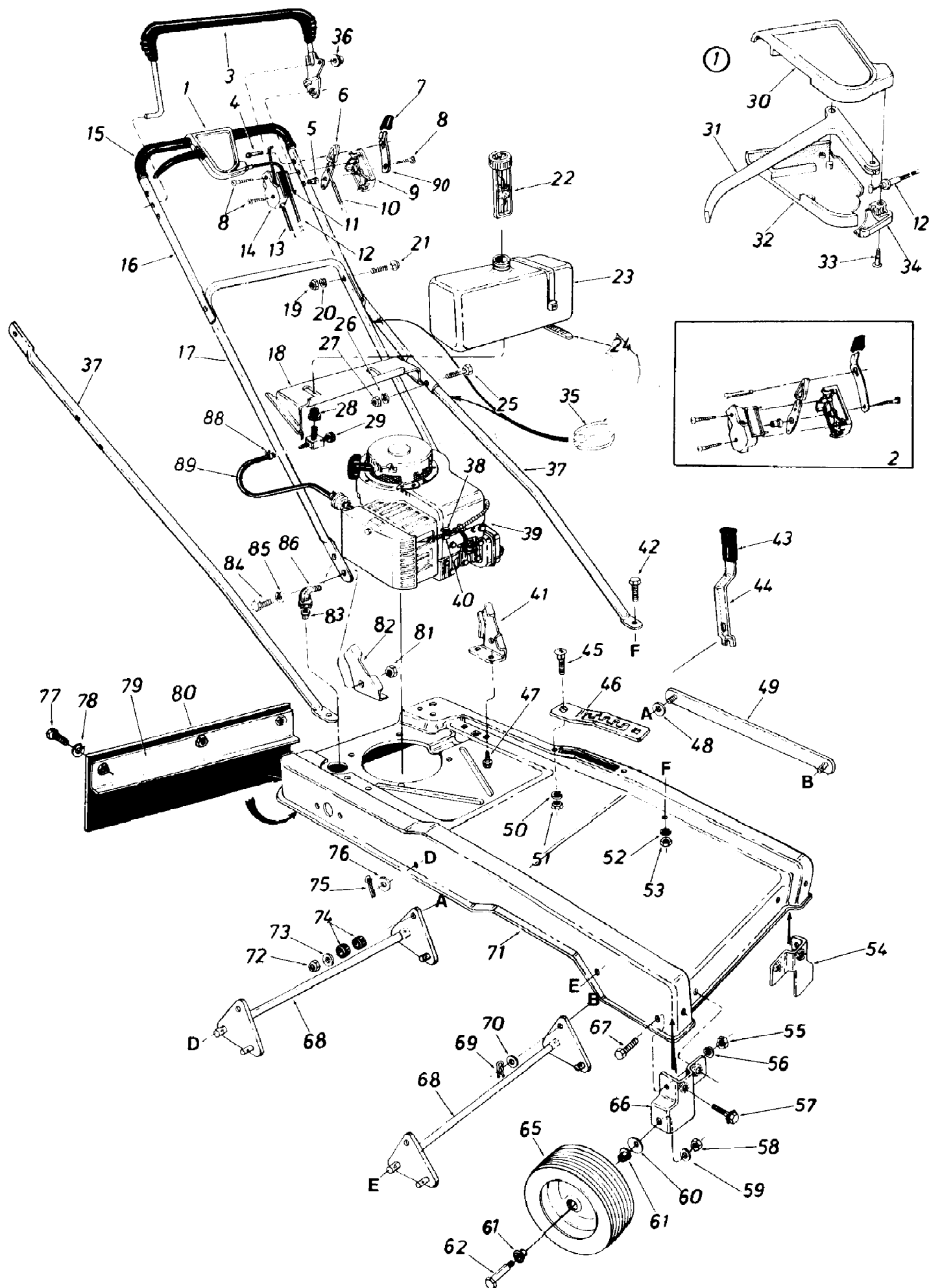
Page 4 of 10

Ref #	Part Number	Qty	S/P/F	Description
1	736-0409	1	S	Washer 1.0" I.D. x 1.2" O.D.
2	746-0405	1	S	BBC Clutch Cable 46" Lg.
3	16509	1		Clutch Housing
4	741-0326	1		Steel Ball .500" Dia.
5	731-0520	1		Ball Block
6	710-0599	1	/P	Hex Wash. TT-Tap Cl. Scr. 1/4-20 x .50" Lg.
8	717-0889	1		Clutch Blade Housing Ass'y. (Also Incl. Ref. 19)
9	741-0124	1	S	Ball Brg. .669" I.D. x 1.574" O.D.
10	736-0412	1		Bell-Wash. .44" I.D. x .87" O.D.
11	14302	1		Blade Disc.
12	756-0483	1		5/8"V"-Pulley 1.58" I.D. x 8.0" O.D.
13	736-0169	1	S	L-Wash. 3/8" I.D.
14	712-0328	1		Hex Nut 3/8-24 Thd.
15	710-1002	1	/P	Hex Bolt 7/16-20 x 2.0" Lg.-Gr. 5
16	732-0527	1		Comp. Spring .33" O.D. x 2.05" Lg.
17	14305	1		Brake Cup Cone
18	732-0545	1	S	Extension Spring .35" O.D. x 1.80" Lg.
19	756-0504	1		Fixed Pulley MBC 0 Adapter
20	756-0503	1		Movable Pulley Half
21	736-0408	1	S	Wave Wash. .164 High x 1.005" I.D.
22	712-0267	1	S	Hex Nut 5/16-18 Thd.
23	736-0242	1	/P	Bell-Wash. .336" I.D. x .860" O.D.
24	16505	1		Hi-Wheel Frame
25	736-0119	1	S	L-Wash. 5/16" I.D.
26	710-0973	1		Belt Guard 5/16" Bolt
27	710-0603	1	/P	Hex Wash. Hd. B-Tap Scr. 5/16-18 x .50" Lg.
28	736-0219	1	S	Bell-Wash. .400" I.D. x 1.13" O.D.
29	712-0287	1	S	Hex Nut 1/4-20 Thd.
30	736-0329	1	S	L-Wash. 1/4" I.D.
31	732-0357	1	S	Extension Spring .33" I.D. x 1.12" Lg.
32	717-0417	1	S	Transmission Comp. (See Breakdown)
33	746-0650	1	S	Self-Propelled Cable x 50" Lg. -Black
34	738-0440	1		Shld. Spacer .375" Dia. x .170
35	756-0330	1	S	FI-Pulley 5.06" O.D.
36	16504	1		45 Tooth Chain Cover
37	736-0329	1	S	L-Wash. 1/4" I.D.
38	710-0352	1	/P	Hex B-Tap Scr. 1/4 x .38" Lg.
39	713-0257	1	S	#48 Chain .500" Pitch x 52 Links
40	710-0599	1	/P	Hex Wash. TT-Tap Scr. 1/4-20 x .50" Lg.
41	16503	1		45 Tooth Chain Case
42	710-0352	1	/P	Hex B-Tap Scr. 1/4 x .38" Lg.
43	713-0402	1		Rear Axle Ass'y. 26.82" Lg.
44	710-0281	1	/P	Hex Bolt 1/4-28 x .88" Lg.
45	741-0481	1		Hex Flange Brg. .631" I.D. x .320
46	736-0256	1	S	FI-Wash. .635" I.D. x 1.0" O.D.
47	748-0313	1		Spacer .630" I.D. x 1.250" O.D.
48	741-0413	1	S	Hex Flange Brg. .631" I.D. x .720
49	712-0314	1		Hex Jam Nut 1/4-28 Thd.
50	754-0327	1	S	"V"-Belt
51	738-0691	1	S	Shld. Bolt .375" Dia. x .400 Lg.
52	736-0344	1	S	FI-Wash. .390" I.D. x 1.00" O.D.

128-560B190 Lawn Boss 26 (1988)  
Drive Assembly

Page 5 of 10

Ref #	Part Number	Qty	S/P/F	Description
53	756-0447	1	S	FI-Idler Plastic 1.50" Dia. x .48
54	736-0270	1	/P	Bell-Wash. .265" I.D. x .75 O.D.
55	712-0138	1	S	Hex Nut 1/4-28 Thd.
56	16502	1		Idler Brk't. Ass'y.
57	736-0329	1	S	L-Wash. 1/4" I.D.
58	710-0106	1	/P	Hex Bolt 1/4-20 x 1.25" Lg.
59	712-0138	1	S	Hex Nut 1/4-28 Thd.
60	710-0501	1	/P	Hex Bolt 1/4-20 x 2.00" Lg.
61	710-0654	1	S	Hex Wash. Hd. TT-Tap Scr. 3/8-16 x 1.0" Lg.
63	710-0352	1	/P	Hex B-Tap Scr. 1/4 x .38" Lg.
64	736-0329	1	S	L-Wash. 1/4" I.D.
65	16500	1	S	Hex Bearing Cup
66	736-0185	1	S	FI-Wash. .406" I.D. x .734" O.D.
67	741-0485	1	S	Flange Bearing .630" I.D. x 2.83" Lg.
69	734-1400	1		Rimstrip 16 x 7/8
70	734-1397	1	/P	Inner Tube 16 x 2.12
71	734-1396	1	/P	Chevron Tire 16 x 2.125
72	710-0376	1	/P	Hex Bolt Special 5/16-18 x 1.0" Lg.
73	736-0104	1	S	Intern. L-Wash. 5/16 I.D.
74	712-0329	1	S	Special Hex Nut 5/16-18 Thd.
75	748-0315	1		Pawl and Spring Ass'y.
76	14967	1		Wheel Cover 4.75" I.D.
77	712-0267	1	S	Hex Nut 5/16-18 Thd.
78	710-0782	1		Hex Wash. Hd. Self-Tap Screw 1/4" x 3/4" Lg.
79	736-0270	1	/P	Bell-Wash. .265" I.D. x .75 O.D.
80	748-0312	1		Wheel Ratchet 2.92" O.D.
81	741-0482	1	S	Needle Brg. .375" x .31"
82	734-1399	1		Rim Ass'y. Only 16.0" x 2.1
83	734-1398	1		Wheel Ass'y. Comp. 16 x 2.12
84	14304	1		Clutching Cone



128-560B190 Lawn Boss 26 (1988)  
Mower Assembly

Page 7 of 10

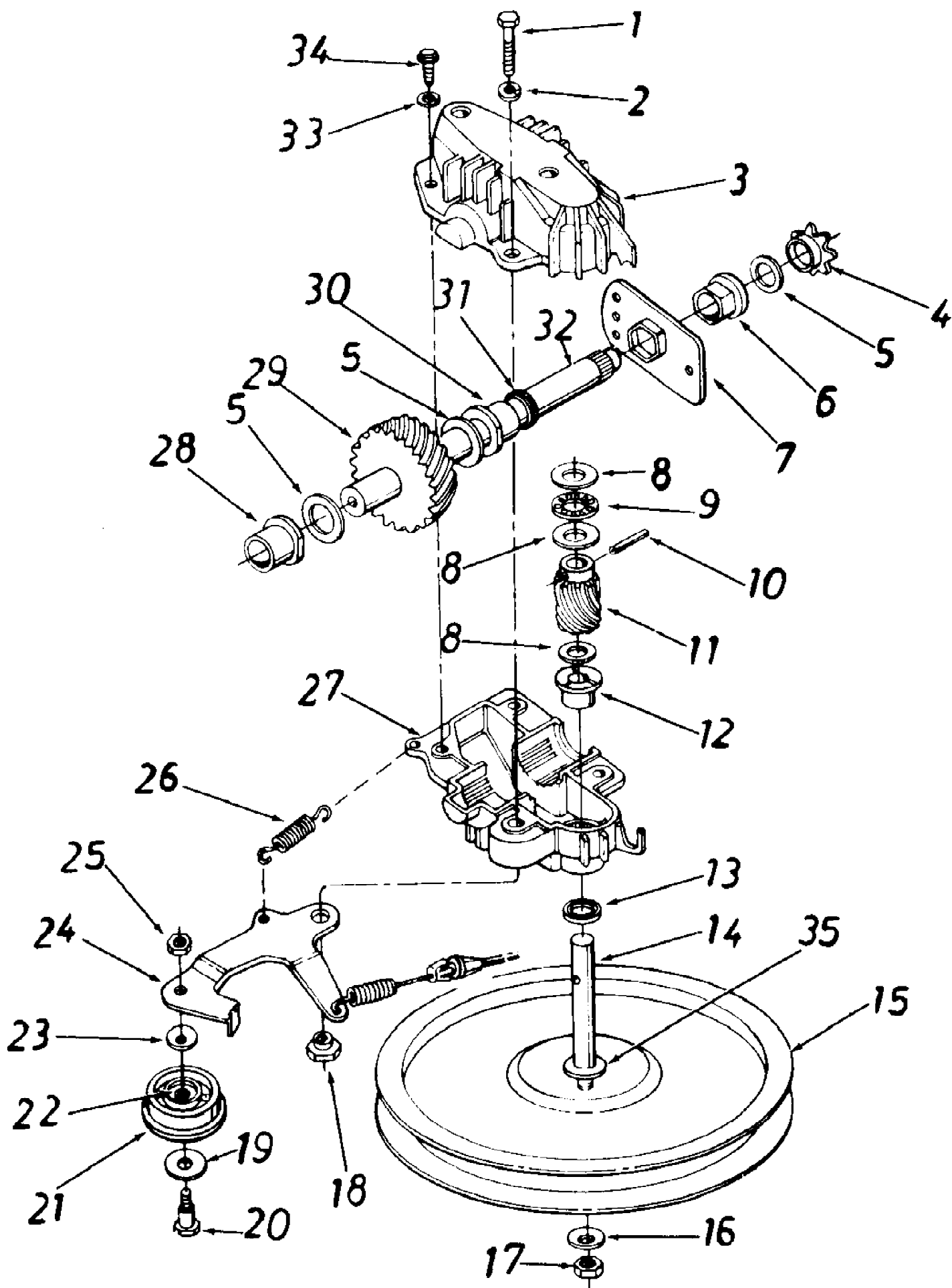
Ref #	Part Number	Qty	S/P/F	Description
1	753-0362	1		Clutch Control Housing Comp.
2	753-0431	1		Control Housing Comp.
3	16739	1		Control Handle Ass'y.
4	731-0607	1		Lock Pin
5	731-0524	1		Control Disc Pin
6	731-0528	1	S	Throttle Control Lever
7	720-0190	1	S	Spring Lever Knob
8	710-0796	1	/P	Truss Mach. Hi-B 0 Tap Scr. #12 x 1.50" Lg.
9	731-0817	1	S	Control Panel Half
10	746-0631	1	S	Throttle Control Wire 43" Lg.
11	777-5772	1		Control Label-Throttle
12	746-0650	1	S	Self-Propelled Cable 50" Lg.
13	746-0405	1	S	IDrive Clutch Cable-46" Lg.
14	731-0816	1		Clutch Panel Half
15	718-0145	1		Grip 22" Lg.
16	749-0437	1		Upper Handle
17	749-0505	1	S	Lower Handle
18	14426	1		Gas Tank Mounting Brk't.
19	712-0267	1	S	Hex Nut 5/16-18 Thd.'
20	736-0119	1	S	L-Wash. 5/16" I.D.
21	710-0262	1	/P	Carriage Bolt 5/16-18 x 1.50" Lg.
22	723-0155	1		Gas Gauge 13/4-6 x 5.50" Lg.
23	751-0225	1		Gas Tank
24	726-0209	1	/P	Cable Tie 30.6" Lg.
25	710-0158	1	S	Hex Bolt 5/16-24 x 1.25" Lg.
26	736-0119	1	S	L-Wash. 5/16" I.D.
27	712-0123	1	/P	Hex Nut 5/16-24 Thd.
28	735-0149	1	S	Bushing-Gas Tank
29	751-0171	1	S	Fuel Shut-Off Valve w/Screen
30	731-0617	1	S	Control Cover Half-Upper
31	731-0620	1	S	Control Lever
32	731-0618	1	S	Control Cover Half-Lower
33	710-0841	1	/P	Flat "C" Sunk Hd. Tap Scr. #10 x .75" Lg.
34	731-0619	1		Cable Mounting Cap
35	726-0240	1	S	Cable Tie
36	726-0245	1		Push Cap
37	749-0697	1		Strut .75" O.D. x 43.44" Lg.
38	710-0436	1	S	Hex Sems Scr. #10-32 x .62" Lg.
39		1		Engine-5 H.P.
40	751-0442	1		Casing Clamp
41	12577	1		Handle Mount Brk't.-L.H.
42	710-0118	1	S	Hex Bolt 5/16-18 x .75" Lg.'
43	720-0142	1	/P	Grip-Black
44	15342	1		Lift Handle
45	710-0260	1	S	Carriage Bolt 5/16-18 x .62 Lg.
46	16507	1		Lift Handle Support Brk't.
47	710-0603	1	/P	Hex Wash. Hd. B-Tap Scr. 5/16-18 x .50
48	736-0235	1		FI-Wash. .406" I.D x 1.25" O.D.
49	15331	1		Connecting Link Ass'y.
50	736-0119	1	S	L-Wash. 5/16" I.D.
51	712-0267	1	S	Hex Nut 5/16-18 Thd.
52	736-0119	1	S	L-Wash. 5/16" I.D.'
53	712-0267	1	S	Hex Nut 5/16-18 Thd.'

128-560B190 Lawn Boss 26 (1988)  
Mower Assembly

Page 8 of 10

Ref #	Part Number	Qty	S/P/F	Description
54	10293	1		Wheel Brk't. Ass'y.-L.H.
55	712-0267	1	S	Hex Nut 5/16-18 Thd.'
56	736-0119	1	S	L-Wash. 5/16" I.D.'
57	710-0198	1	S	Hex Sems Bolt 5/16-18 x .75 " Lg .
58	712-0375	1	/P	Hex Cent. L-Nut 3/8-16 Thd.
59	736-0169	1	S	L-Wash. 3/8" I.D.
60	736-0105	1	/P	Bell-Wash. .400" I.D. x .88"
61	741-0180	1	S	Flanged Ball Brg. 1/2" I.D.
62	738-0102	1	S	Front Axle Bolt
	741-0484	1	S	Flanged Ball Brg. .501" I.D.
	750-0434	1	/P	Spacer .375" I.D. x .505 O.D. x 1" Lg.
65		1		Wheel Ass'y. Comp. 8 x 1.75
	734-1260	1		Front Wheel Ass'y. (8 x 1.75)
	734-1513	1	S	Front Wheel Ass'y. (8 x 2)
66	10294	1		Wheel Brk't. Ass'y.-R.H.
67	710-0198	1	S	Hex Sems Bolt 5/16-18 x .75 " Lg .
68	16497	1		Lift Brk't. Shaft Ass'y.
69	714-0104	1	S	Intern. Cotter Pin 5/16" Dia.
70	736-0300	1	S	FI-Wash. .385" I.D. x .88" O.D.
71	16505	1		Hi-Wheel Frame
72	712-0116	1	S	Hex Ins. L-Nut 3/8-24 Thd.
73	736-0300	1	S	FI-Wash. .385" I.D. x .87" O.D.
74	735-0126	1	S	Rubber Wash. .33" I.D. x .87" O.D.
75	714-0115	1	S	Cotter Pin 1/8" Dia. x 1" Lg.
76	736-0272	1	S	FI-Wash. .510" I.D. x 1.0 O.D.
77	710-0258	1	S	Hex Bolt 1/4-20 x .62" Lg.
78	736-0329	1	S	L-Wash. 1/4" I.D.'
79	16563	1		Retaining Strip Ass'y. 2" x 15" Lg.
80	731-0811	1		Rear Flap 7.5 x 20" Lg.
81	712-0342	1	/P	Hex Nut 3/8-16 Thd.'
82	12578	1		Handle Mount Brk't.
83		1		Part of Engine
84	710-0216	1	/P	Hex Bolt 3/8-16 x .75" Lg.'
85	736-0169	1	S	L-Wash. 3/8" I.D.'
86	737-0125	1		90 Deg. Elbow Male to Female 3/8
88	726-0207	1		Hose Clamp-.406" Dia.
89	751-0173	1	S	Fuel Line 15" Lg.
90	732-0401	1		Lockout Lever





128-560B190 Lawn Boss 26 (1988)  
Transmission Assembly

Page 10 of 10

Ref #	Part Number	Qty	S/P/F	Description
1	710-0106	1	/P	Hex Bolt 1/4-20 x 1.25" Lg.
2	736-0329	1	S	L-Wash. 1/4" I.D.
3	717-0418	1	S	Upper Transmission Hsg. Half
4	713-0400	1		#48 Sprocket 7 Tooth x 1/2 Pitch
5	736-0336	1	S	FI-Wash. 5/8" I.D. x .030
6	741-0413	1	S	Hex Flange Brg. .631" I.D.
7	16500	1	S	Hex Bearing Cup
8	736-0314	1	S	Thrust Wash. .382" I.D. x .70" O.D.
9	741-0479	1		Thrust Bearing .375" I.D. x .812" O.D.
10	715-0152	1		Spring Pin Spir. 1/8" x .62" Heavy
11	717-0420	1		11 Tooth Helical Gear
12	748-0208	1	S	Flange Bearing
13	721-0212	1		Oil Seal
14	738-0708	1	S	Pulley-Transmission Shaft .375 O.D.
15	756-0330	1	S/F	FI-Pulley 5.06" O.D.
16	736-0270	1	/P/F	Bell-Wash. .265" I.D. x .75"
17	712-0351	1	S/F	Hex Lock Nut 1/4-28 LH Thd.
18	738-0440	1	F	Shld. Spacer .375" Dia. x .170
19	736-0344	1	S/F	FI-Wash. .390" I.D. x 1.0"
20	738-0691	1	S/F	Shld. Bolt .375" Dia. x .40"
21	756-0447	1	S/F	FI-Idler Plastic 1.50" Dia. x .48
22	741-0482	1	S/F	Needle Brg 3/75" x 31
23	736-0270	1	/P/F	Bell-Wash. .265" I.D. x 75"
24	16502	1	F	Idler Brk't. Ass'y.
25	712-0138	1	S/F	Hex Patch L-Nut 1/4-28 Thd.
26	732-0357	1	S/F	Extension Spring 1.12" Lg.
27	717-0419	1	S	Lower Transmission Hsg. Half
28	741-0415	1	S	Flange Bearing .566 Dia.
29	717-0422	1	S	33 Tooth Helical Gear
30	741-0414	1		Flange Bearing .629 Dia.
31	721-0213	1	/P	Oil Seal .625 Dia.
32	738-0607	1	S	Gear Sprocket Shaft
33	736-0722	1	S	L-Wash. #10
34	710-0436	1	S	Hex B-Tap Scr. #10 x .62"
35	736-0410	1	S	Hex Washer .26" x .88"
	717-0417	1	S	Transmission Comp.